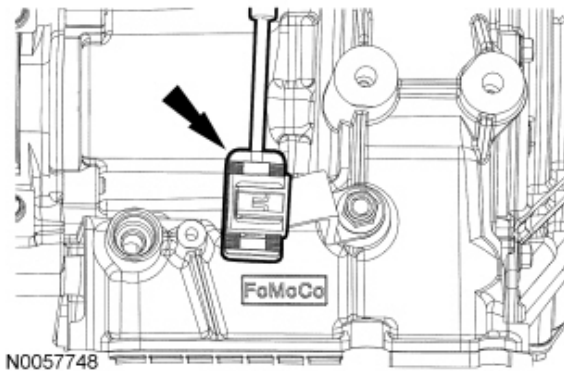


2008 Edge

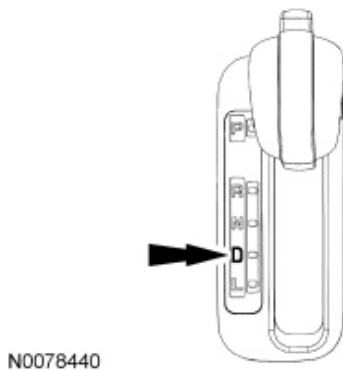
SECTION 307-05: Automatic Transaxle/Transmission External Controls	2008 Edge/MKX Workshop Manual	Report a problem with this article
GENERAL PROCEDURES	Procedure revision date: 07/22/2008	

Selector Lever Cable Adjustment

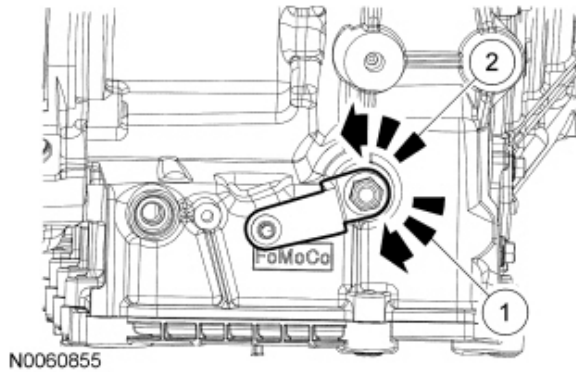
1. Disconnect the selector lever cable end from the manual control lever.



2. Place the selector lever in DRIVE.

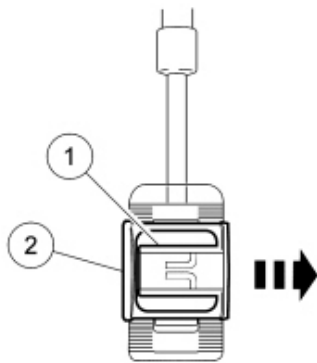


3. Place the manual control lever in DRIVE.
 1. Rotate the manual control lever clockwise until it stops.
 2. Rotate the manual control lever counterclockwise one detent.

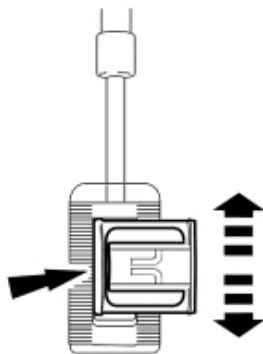


4. Unlock the adjuster.

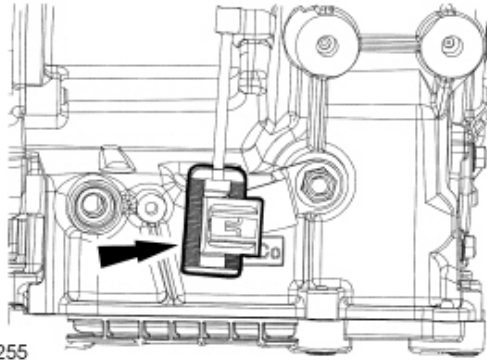
1. Pry the latch up.
2. Push the lock tab to slide it over.



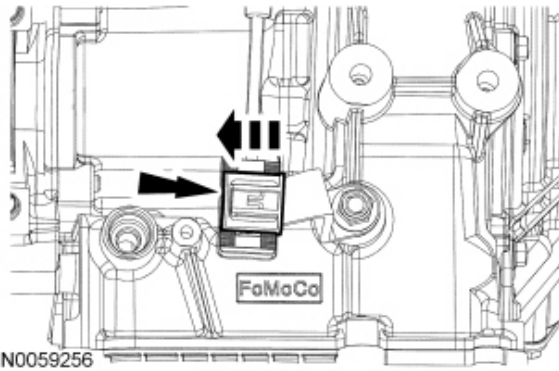
5. Slide the selector lever cable end forward or backward to align it with the manual control lever.



6. With the adjuster locking tab released, connect the selector lever cable end to the manual control lever.



7. Slide the release tab back to lock the adjuster.



8. Verify that the vehicle starts in PARK and NEUTRAL only and that the reverse lamps illuminate in REVERSE.
-

