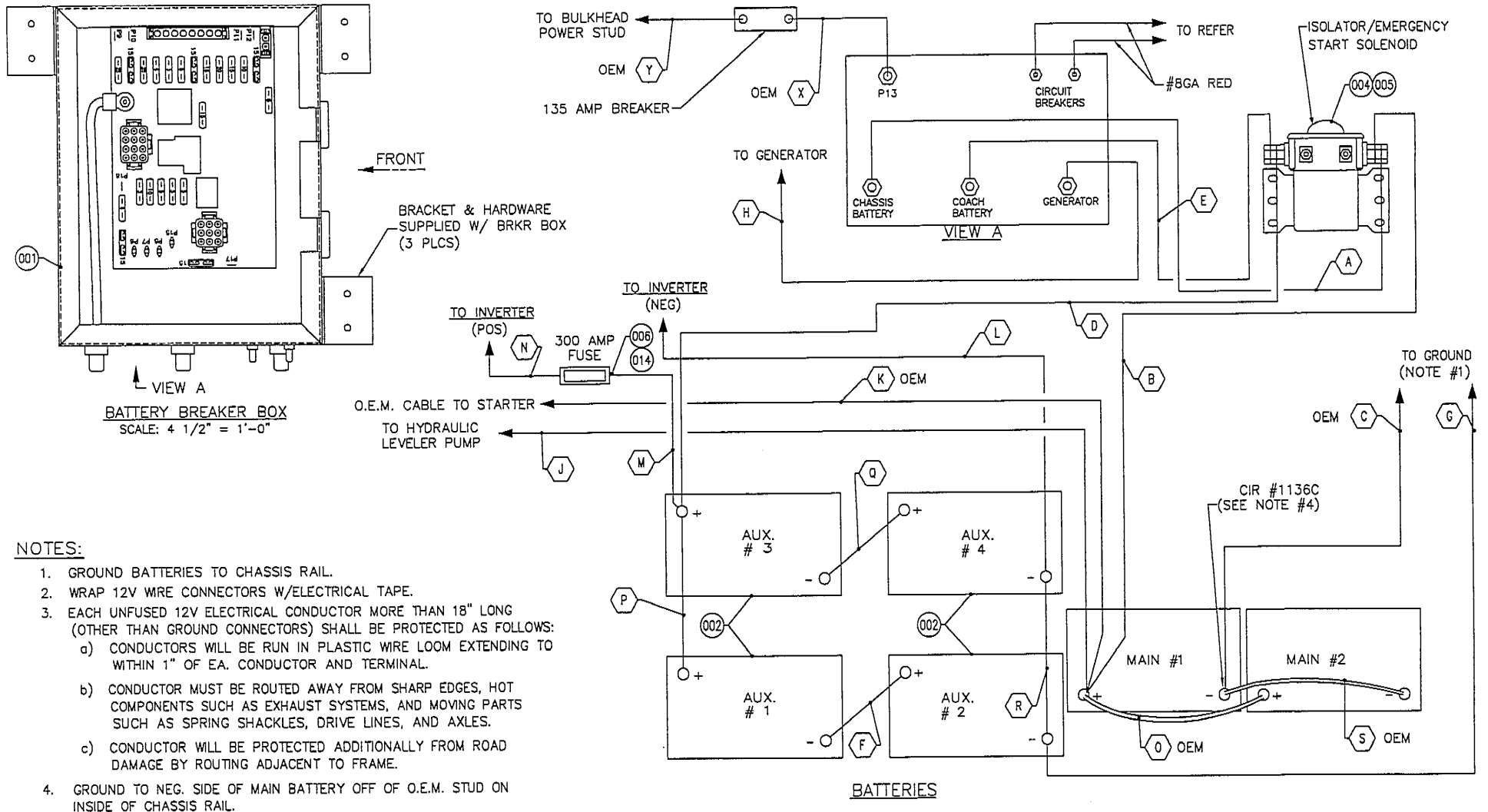


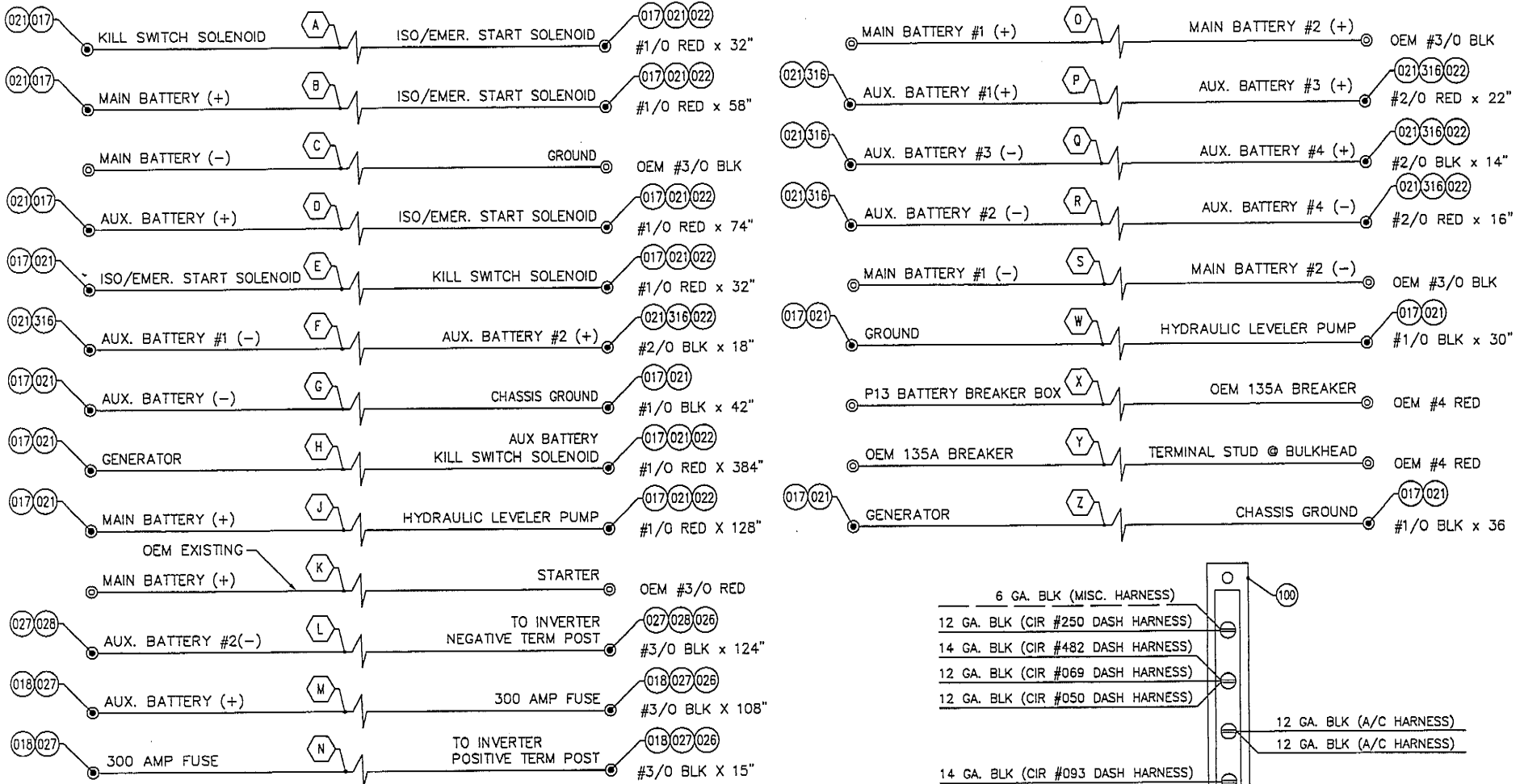
D.C. RELEASE	DESCRIPTION	DATE	BY	SCALE: 9" = 1'-0"	USED ON:	FLEETWOOD PAGE NO. 703-02-19350
				DRAWN: Pat O. DATE: 04-12-02		
03-00		04-12-02	PO	PROJECT: 03703304		TITLE: CHASSIS ELECTRICAL- FREIGHTLINER
03-04		09-23-02	RD	PLOT: 09/23/02 08:07:13 01darior	AUX. INFO:	



NOTES:

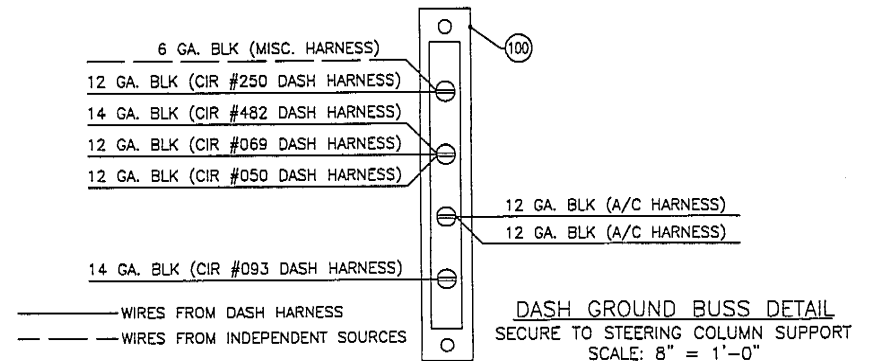
- GROUND BATTERIES TO CHASSIS RAIL.
- WRAP 12V WIRE CONNECTORS W/ELECTRICAL TAPE.
- EACH UNFUSED 12V ELECTRICAL CONDUCTOR MORE THAN 18" LONG (OTHER THAN GROUND CONNECTORS) SHALL BE PROTECTED AS FOLLOWS:
 - CONDUCTORS WILL BE RUN IN PLASTIC WIRE LOOM EXTENDING TO WITHIN 1" OF EA. CONDUCTOR AND TERMINAL.
 - CONDUCTOR MUST BE ROUTED AWAY FROM SHARP EDGES, HOT COMPONENTS SUCH AS EXHAUST SYSTEMS, AND MOVING PARTS SUCH AS SPRING SHACKLES, DRIVE LINES, AND AXLES.
 - CONDUCTOR WILL BE PROTECTED ADDITIONALLY FROM ROAD DAMAGE BY ROUTING ADJACENT TO FRAME.
- GROUND TO NEG. SIDE OF MAIN BATTERY OFF OF O.E.M. STUD ON INSIDE OF CHASSIS RAIL.

D.C. RELEASE	DESCRIPTION	DATE	BY	SCALE: 2" = 1'-0"	USED ON:	FLEETWOOD PAGE NO. 703-02-19350 RECREATIONAL VEHICLE GROUP SHEET 2 OF 10 TITLE: CHASSIS ELECTRICAL- FREIGHTLINER
03-00		04-12-02	PO	DRAWN: Pct O.	DATE: 04-12-02	
03-02		07-26-02	RD	PROJECT: 03703304		
03-04	REVISED & REDRAWN	09-23-02	RD	PLOT: 09/23/02 08:54:54 01dario	AUX. INFO.	

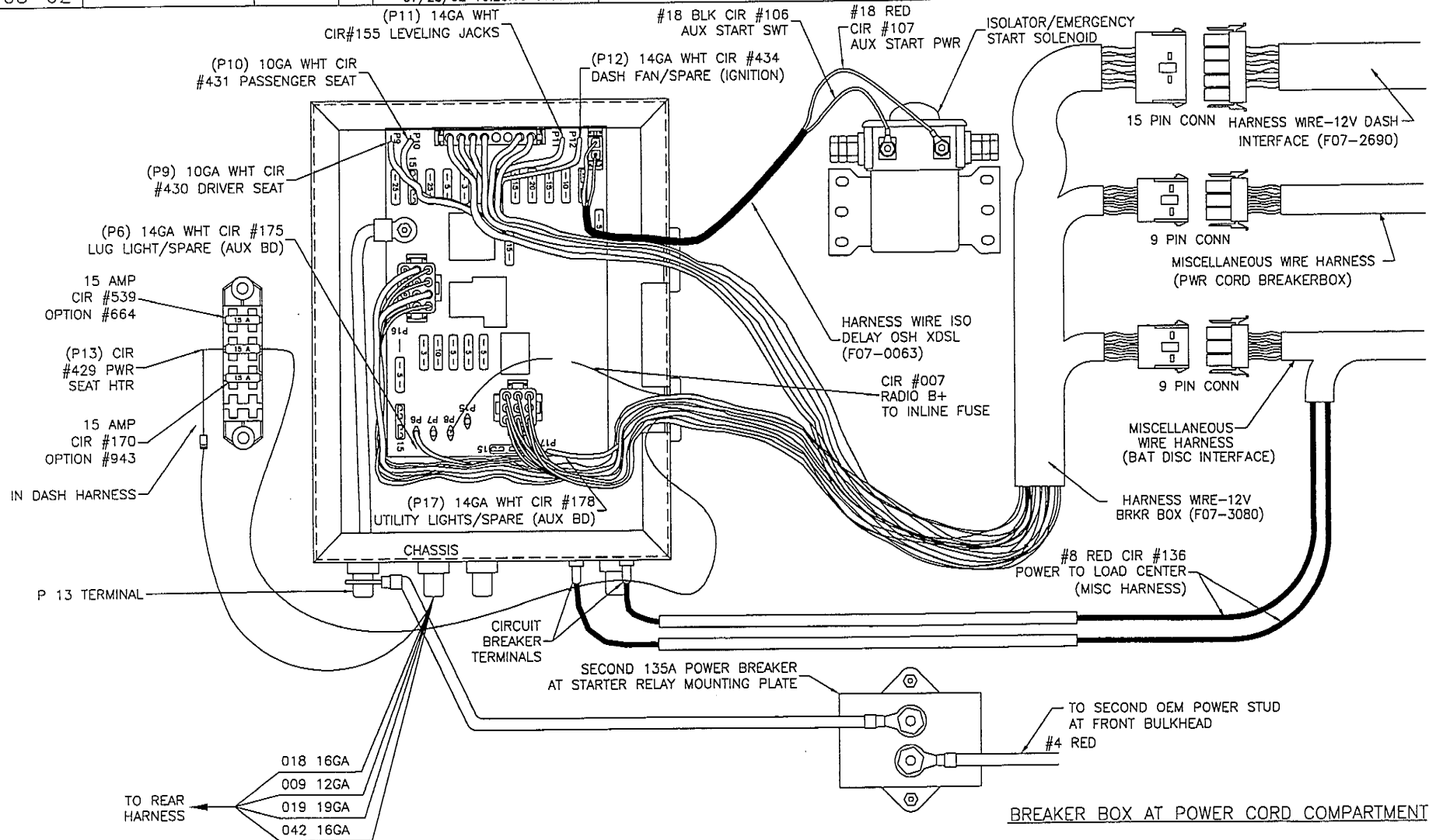


NOTES
1. REMOVE RING TERMINAL FROM OEM CABLE @ STARTER & REPLACE W/ BUTT CONNECTOR (ITEM # 025), THEN CONNECT #4 CABLE TO BREAKER BOX.

WIRE LENGTHS AND FUNCTIONS



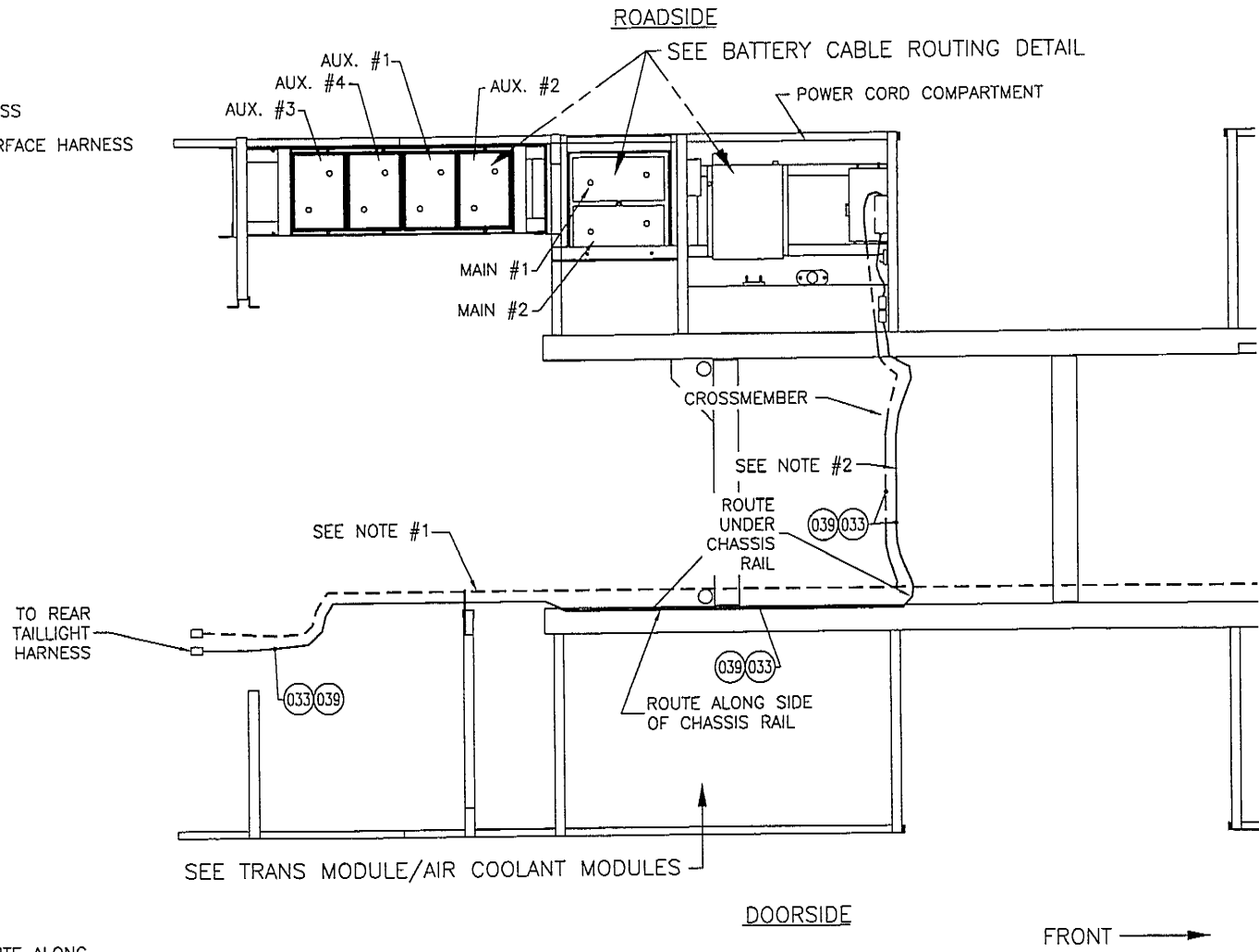
D.C. RELEASE	DESCRIPTION	DATE	BY	SCALE: 6" = 1'-0"	USED ON:	FLEETWOOD RECREATIONAL VEHICLE GROUP	PAGE No. 703-02-19350 SHEET 3 OF 10
03-00		04-12-02	PO	DRAWN: Pat O. DATE: 04-12-02			
03-02		07-25-02	RD	PROJECT: 03703302 PLOT: 07/25/02 10:28:10 01darior	AUX. INFO.		



D.C. RELEASE	DESCRIPTION	DATE	BY	SCALE: 3/4" = 1'-0"	USED ON:	FLEETWOOD	PAGE NO. 703-02-19350
				DRAWN: Pat O.	DATE: 04-12-02	TITLE: CHASSIS ELECTRICAL- FREIGHTLINER	
				PROJECT: 03703300 DWF			
03-00		04-12-02	PO	PLOT: 04/12/02 15:03:21 01obannp	AUX. INFO.		

LEGEND

- TAILLIGHT INTERFACE HARNESS
- O.E.M. TAILLIGHT INTERFACE HARNESS
- RE-ROUTED O.E.M. TAILLIGHT INTERFACE HARNESS

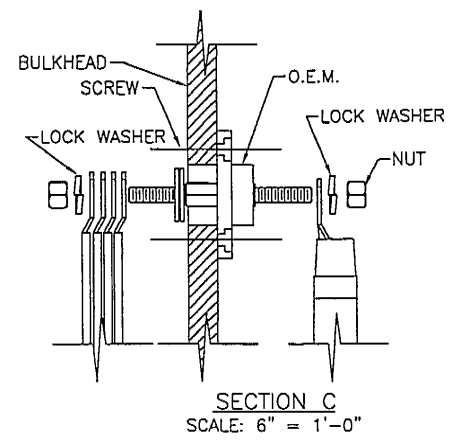
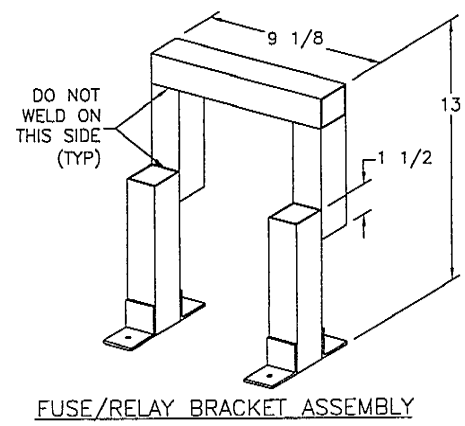
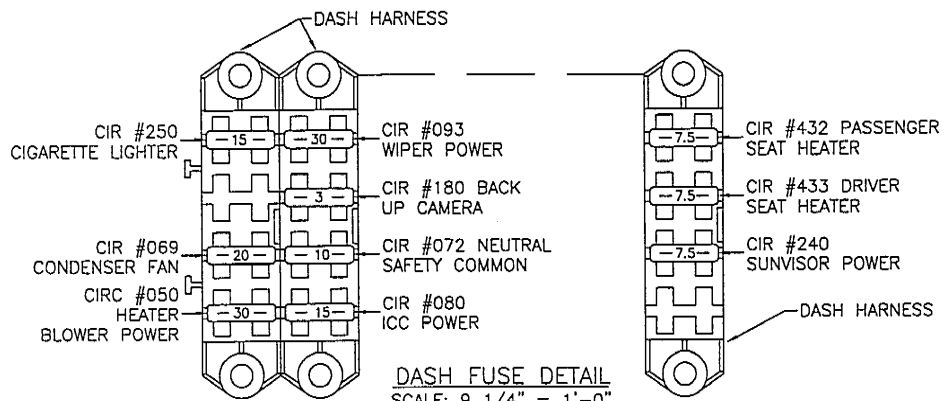
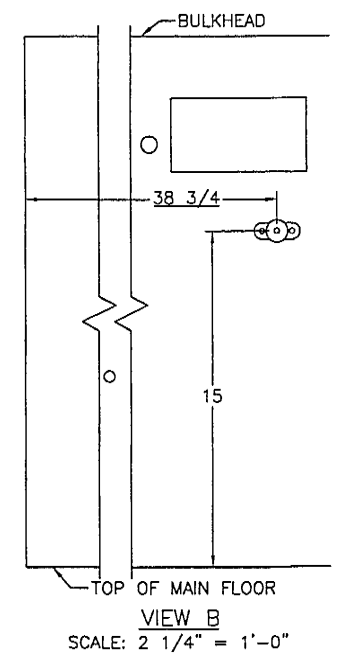
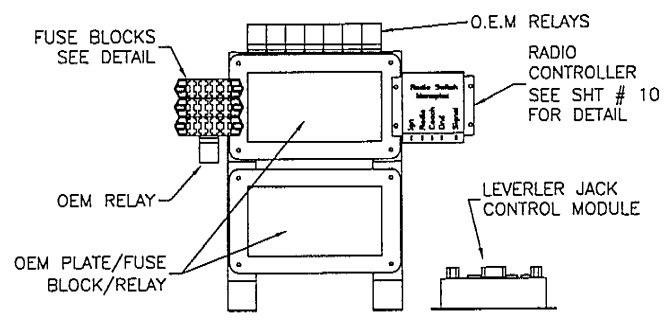
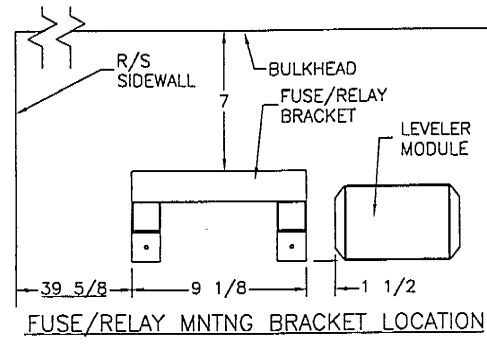
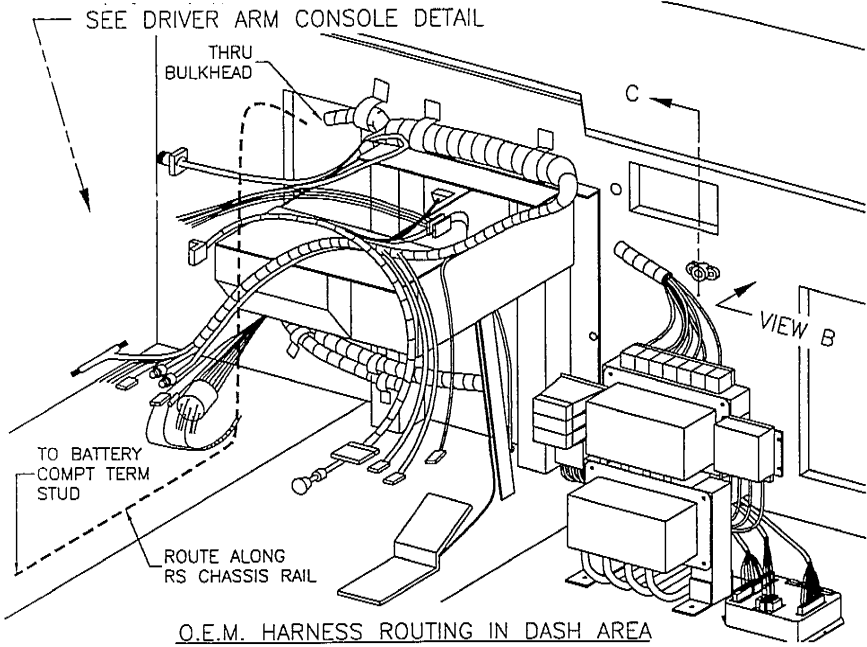


NOTES:

1. PULL OUT OEM TAILLIGHT HARNESS, & RE-ROUTE ALONG CROSSMEMBER INTO POWER CORD COMPARTMENT.
2. ROUTE TAILLIGHT INTERFACE HARNESS FROM POWER CORD COMPARTMENT TO DOORSIDE REAR OF CHASSIS.

RELOCATION OF OEM TAILLIGHT HARNESS
 © POWER CORD COMPARTMENT

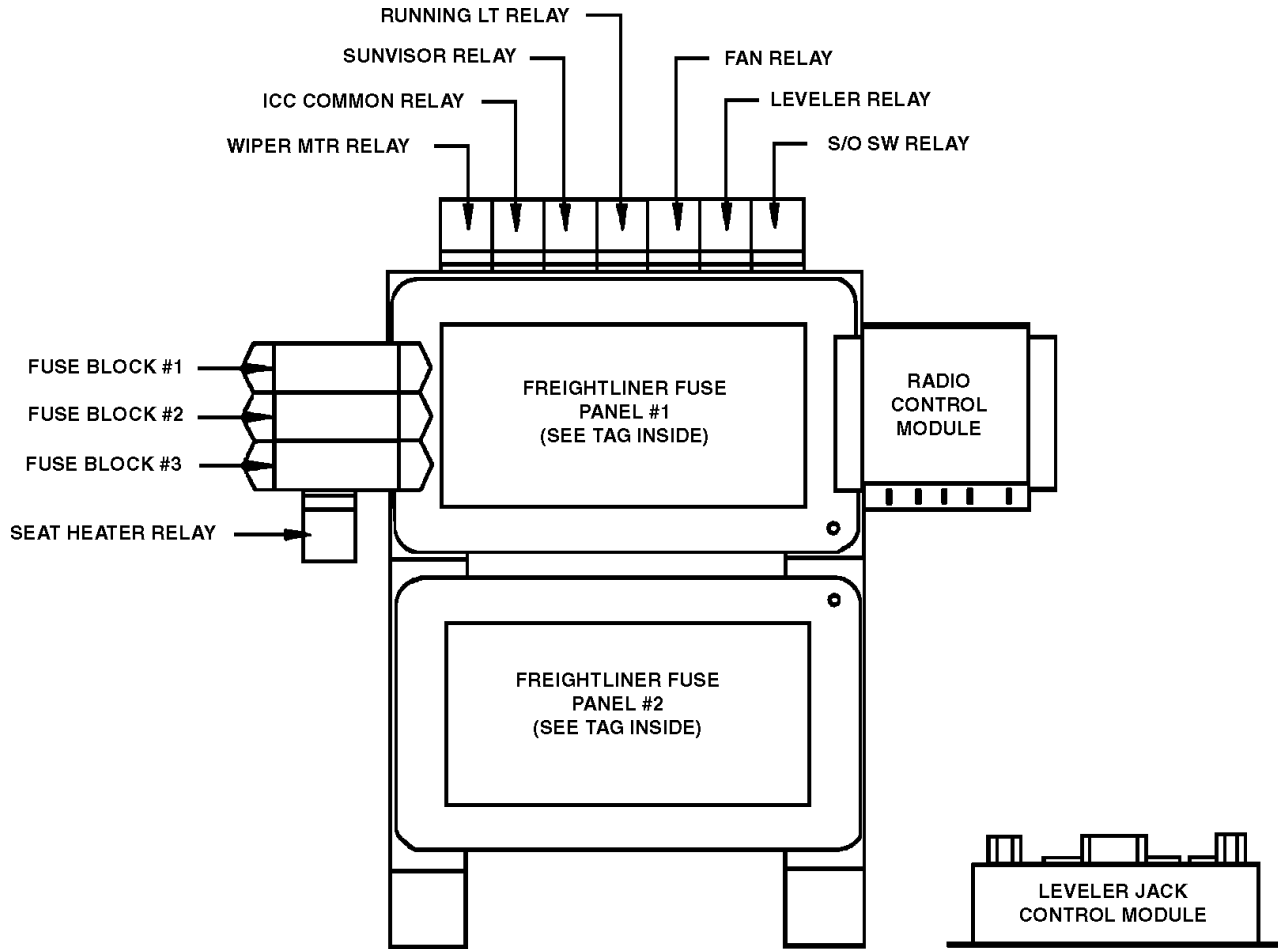
D.C. RELEASE	DESCRIPTION	DATE	BY	SCALE: 1 1/2" = 1'-0"	USED ON:	FLEETWOOD PAGE NO. 703-02-19350 RECREATIONAL VEHICLE GROUP SHEET 5 OF 10
				DRAWN: Pat O. DATE: 04-12-02		
03-00		05-28-02	MF	PROJECT: 03703302		TITLE: CHASSIS ELECTRICAL- FREIGHTLINER
03-02		07-26-02	RD	PLOT: 07/26/02 08:19:22 01drior	AUX. INFO.	



NOTES:
1. FUSE BLOCKS & RELAYS SUPPLIED BY VENDOR.

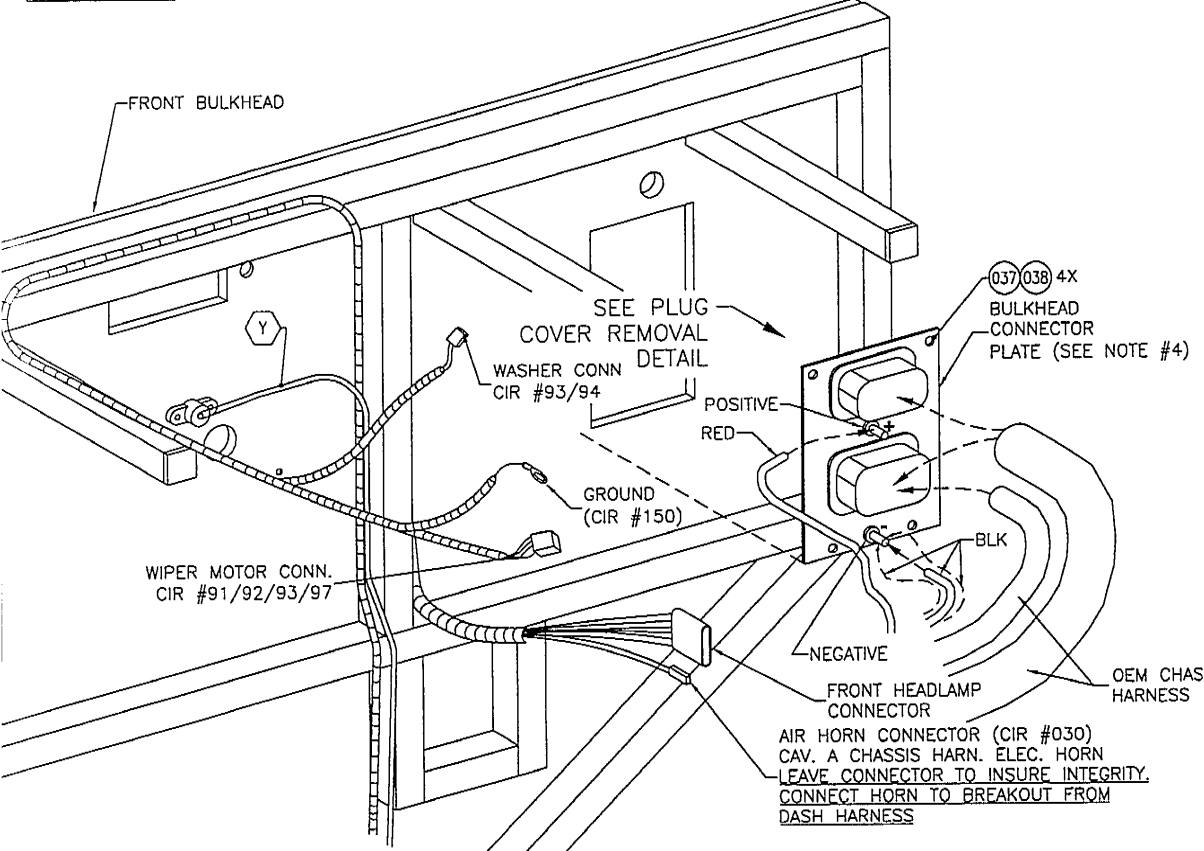
Freightliner Convenience Center

Found on all Fleetwood Motor Homes built on Freightliner Chassis, except the Revolution
 Location: Under the center of the dash behind a pull out panel

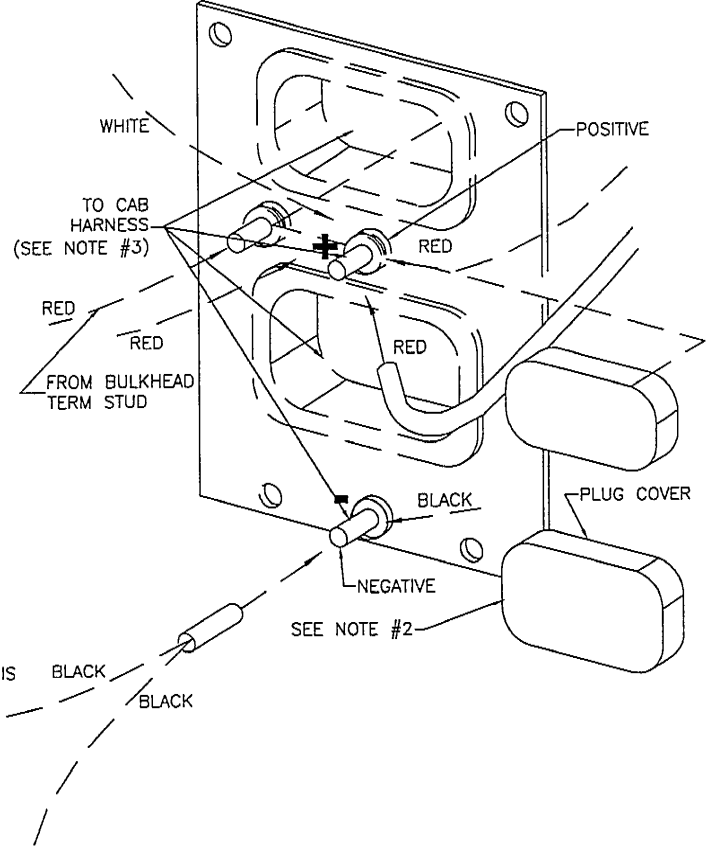


FUSE BLOCK # 1	CIGARETTE LIGHTER	15 AMP		CONDENSER FAN	20 AMP	HTR BLWR POWER	30 AMP	
FUSE BLOCK # 2	WIPER POWER	30 AMP	BACK-UP CAMERA	3 AMP	NEUTRAL SAFETY COMMON	10 AMP	ICC POWER	15 AMP
FUSE BLOCK # 3	PASSENGER SEAT HEATER	7.5 AMP	DRIVER SEAT HEATER	7.5 AMP	SUNVISOR POWER	7.5 AMP		

D.C. RELEASE	DESCRIPTION	DATE	BY	SCALE: 2" = 1'-0"	USED ON:	FLEETWOOD PAGE No. 703-02-19350 RECREATIONAL VEHICLE GROUP SHEET 6 OF 10 TITLE: CHASSIS ELECTRICAL- FREIGHTLINER
				DRAWN: Pat O.	DATE: 04-12-02	
				PROJECT: 03703300 DWF		
03-00		04-12-02	PO	PLOT: 04/12/02 15:09:14 01obannp	AUX. INFO.	



BULKHEAD CONNECTOR PLATE DETAIL

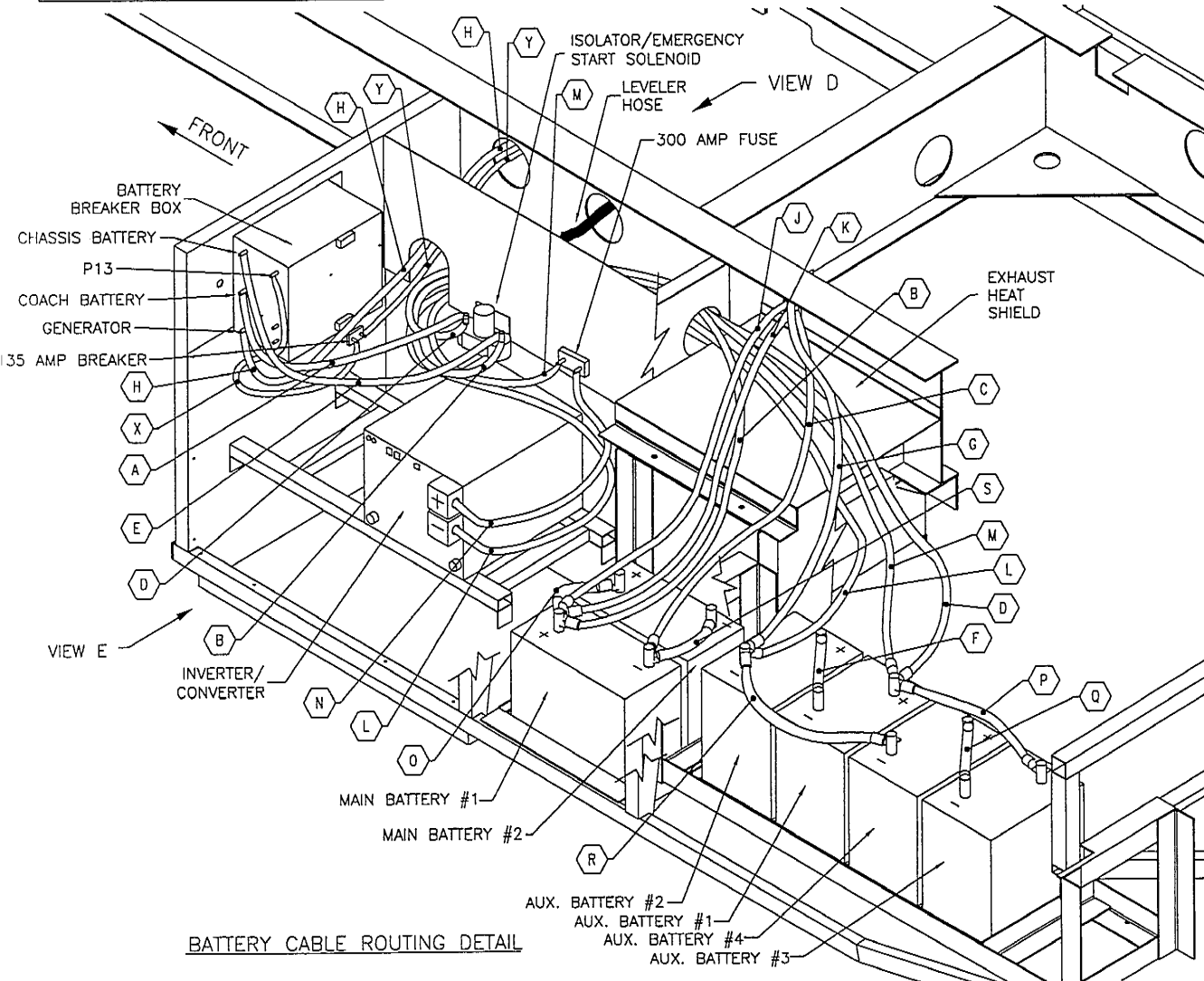


PLUG COVER REMOVAL DETAIL

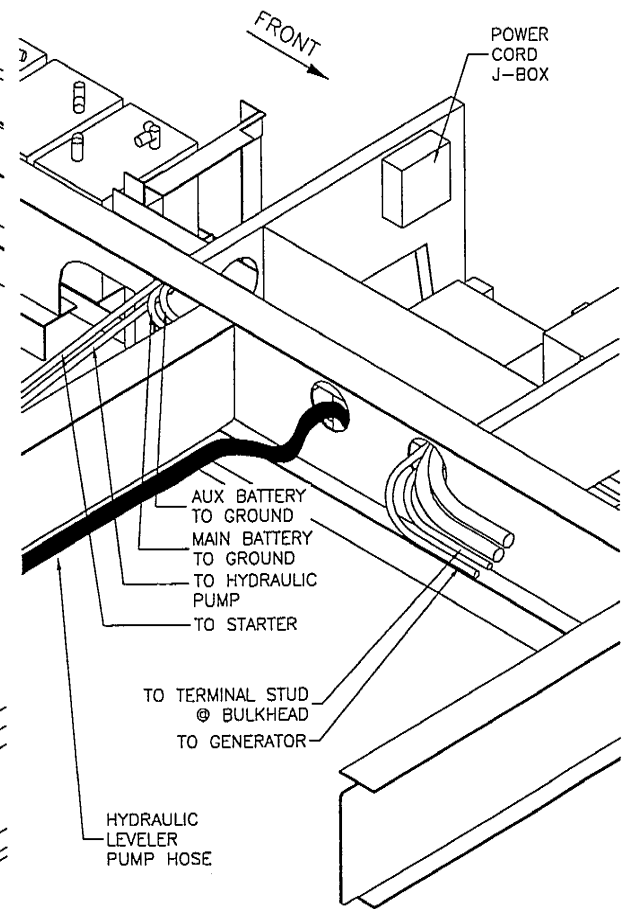
SCALE: 5" = 1'-0"

- NOTES:
1. REMOVE DRIVE AWAY HARNESS FROM BULKHEAD CONNECTOR PLATE AND DISCARD.
 2. REMOVE PLUG COVERS FROM BULKHEAD CONNECTOR PLATE AND DISCARD.
 3. ATTACH CAB HARNESS TO BULKHEAD CONNECTOR PLATE AND SECURE TO BULKHEAD.
 4. SEAL BULKHEAD CONNECTOR PLATE W/SIKA FLEX ALL AROUND.

D.C. RELEASE	DESCRIPTION	DATE	BY	SCALE: 1 1/4" = 1'-0"	USED OR:	FLEETWOOD	PAGE No. 703-02-19350
				DRAWN: Pat O.	DATE: 04-12-02	RECREATIONAL VEHICLE GROUP	SHEET 7 OF 10
				PROJECT: 03703300 DWF		TITLE: CHASSIS ELECTRICAL - FREIGHTLINER	
03-00		04-12-02	PO	PLOT: 04/12/02 15:10:14 01obannp	AUX. INFO.		

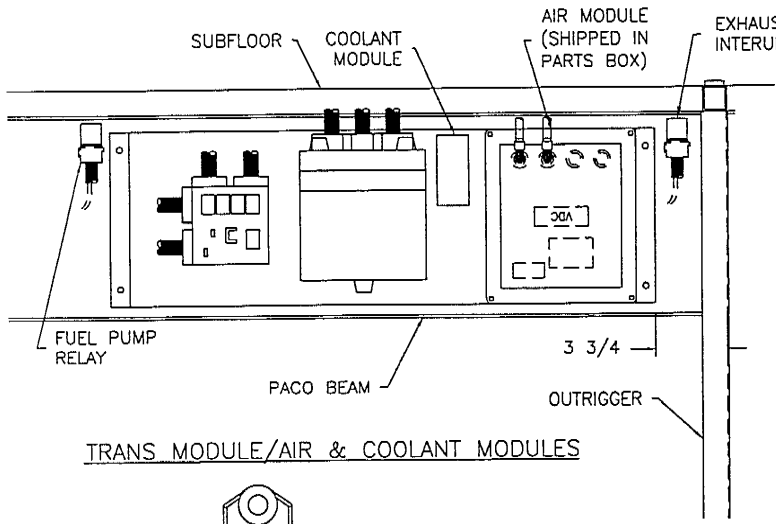


BATTERY CABLE ROUTING DETAIL

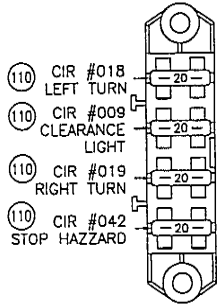


VIEW D
SCALE: 1 1/2" = 1'-0"

D.C. RELEASE	DESCRIPTION	DATE	BY	SCALE: 2" = 1'-0"	USED ON:	FLEETWOOD PAGE No. 703-02-19350
				DRAWN: Pat O. DATE: 04-12-02		
03-00		04-12-02	PO	PROJECT: 03703302		TITLE: CHASSIS ELECTRICAL - FREIGHTLINER
03-02		06-24-02	LL	PLOT: 06/24/02 13:15:15 01lewisl	AUX. INFO.	

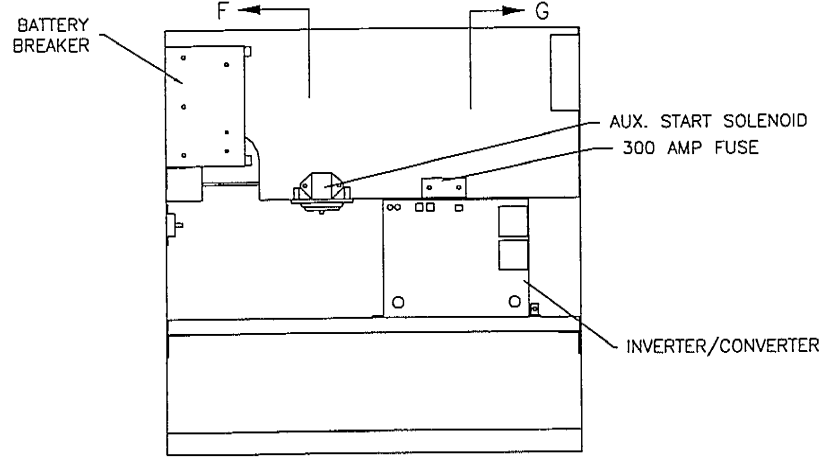


TRANS MODULE/AIR & COOLANT MODULES

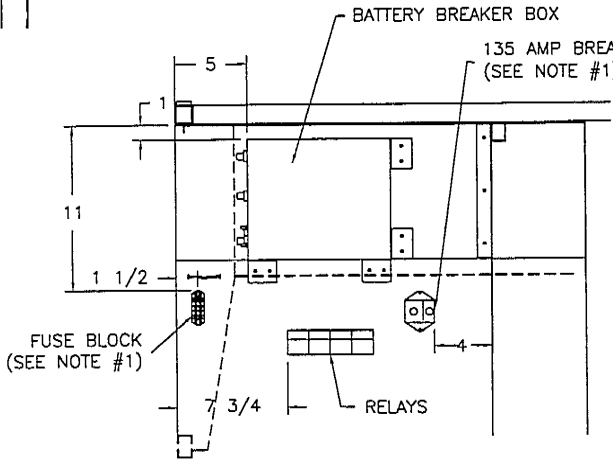


FUSE DETAIL
SCALE: 8" = 1'-0"

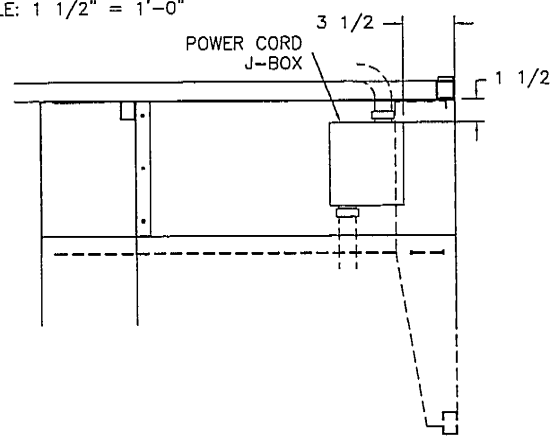
- NOTES:
1. RELAYS & FUSE BLOCK SUPPLIED BY VENDOR
 2. DISCONNECT ALL CONNECTIONS TO OEM TRANSMISSION COMPONENTS BRACKET, ROUT LINES THRU MOUSE HOLE, RELOCATE BRACKET TO FRONT OF COMPARTMENT, DRILL HOLES USING BRACKET AS TEMPLAT.
 3. TORQUE AIR LINE CONNECTIONS TO 15 FT/LBS MAX.
 4. ATTACH $\phi 3/8$ RING TERMINALS OF CIRCUITS: #009, #018, #019 & #042 IN HARN WIRE- 12VEXT LTSRR INTFC SYSIII (F07-3751) TO THE CHASSIS BATTERY POST OF BRKR BOX- (DIESEL CHASSIS)(F73-1040).



VIEW E
SCALE: 1 1/2" = 1'-0"

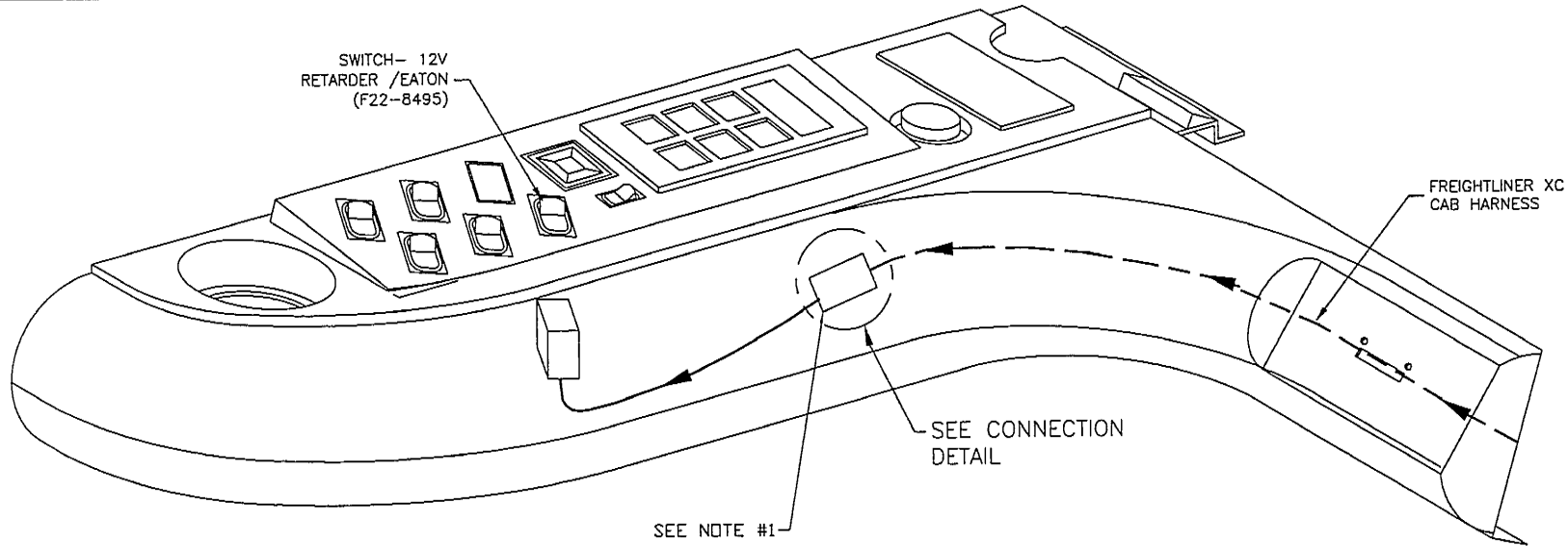


SECTION F
SCALE: 1 1/2" = 1'-0"

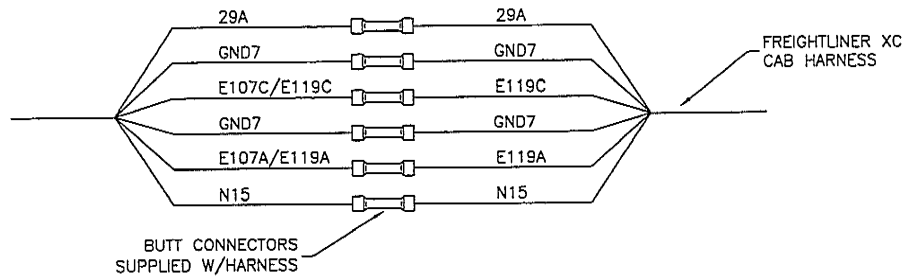


SECTION G
SCALE: 1 1/2" = 1'-0"

D.C. RELEASE	DESCRIPTION	DATE	BY	SCALE: 3 1/2" = 1'-0"	USED ON:	FLEETWOOD	PAGE NO. 703-02-19350
				DRAWN: Pat O.	DATE: 04-12-02		
				PROJECT: 03703300 DWF		TITLE: CHASSIS ELECTRICAL- FREIGHTLINER	
03-00		04-12-02	PO	PLOT: 04/12/02 15:13:20 01obannp	AUX INFO:		



EXHAUST BRAKE HARNESS INSTALLATION

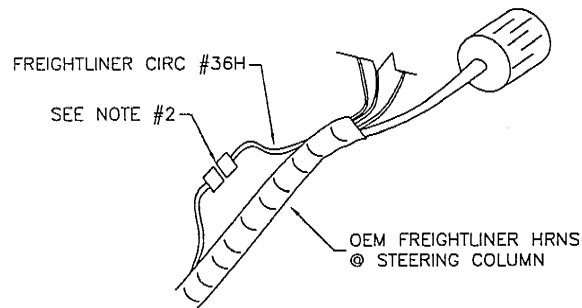


CONNECTION DETAIL

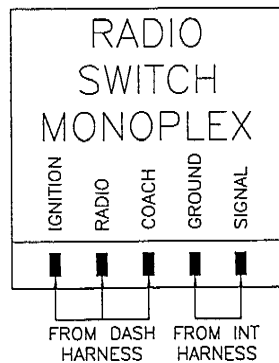
NOTES:

1. CUT OFF EXHAUST BRAKE CONNECTOR AND DISCARD, REPLACE WITH (F07-3125) HARNESS WIRE- 12V RETARDER.

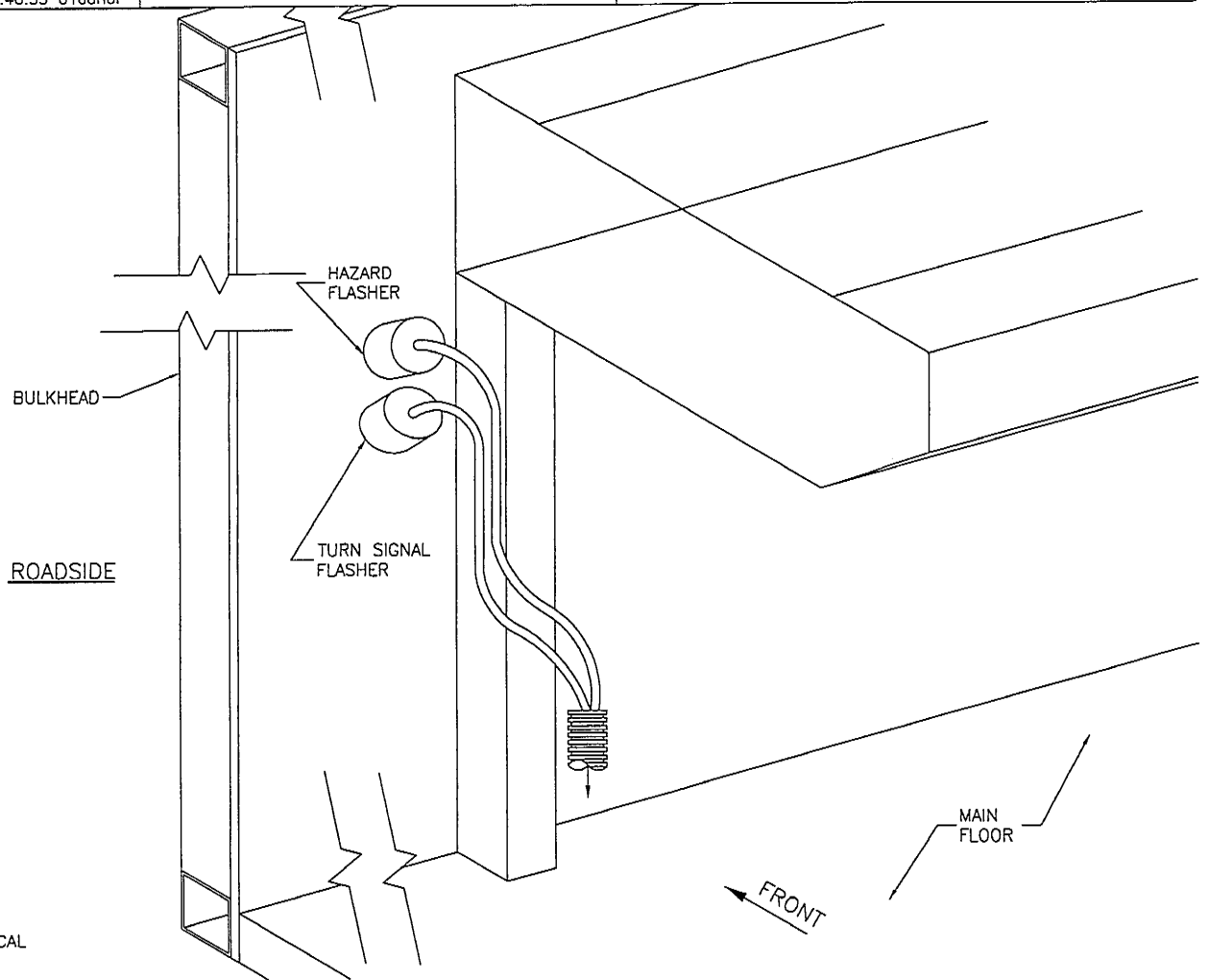
D.C. RELEASE	DESCRIPTION	DATE	BY	SCALE: 4" = 1'-0"	USED ON:	FLEETWOOD PAGE NO. 703-02-19350 RECREATIONAL VEHICLE GROUP SHEET 10 OF 10
				DRAWN: Pat O. DATE: 04-12-02		
03-00		04-12-02	PO	PROJECT: 03703302		TITLE: CHASSIS ELECTRICAL-- FREIGHTLINER
03-02		07-24-02	RD	PLOT: 07/24/02 15:40:35 01dario	AUX INFO:	



FLASHER OVERRIDE DETAIL



RADIO MODULE DETAIL



ADL DIAGNOSTIC CONNECTOR BRACKET INSTALLATION

NOTES:

1. UNPLUG STOP LP FLASHER OVERRIDE SIGNAL CONNECTOR. USE ELECTRICAL TAPE TO SECURE CONNECTORS TO HARNESS.
2. USE F61-0204 LOOM- NYLON 1/2 SPLIT 266D RATING END TO END
3. USE F61-0206 LOOM- NYLON 3/4 SPLIT 266D RATING END TO END
4. ADD TRIM- FLEX (P60-0072) TO PREVENT CABLES FROM CHAFFING.